

Engine	Cummins QSL9
Gross Power	247 kW (335 hp) @ 2,000 rpm
Net Power	234 kW (318 hp) @ 2,000 rpm
Operating Weight	24,500 kg
Standard Bucket Size	4.2 m <sup>3</sup>
Standard Breakout Force	200 kN
Standard Dump Clearance	3,150 mm

# 877H WHEEL LOADER



TOUGH WORLD. TOUGH EQUIPMENT.

# 877H SPECIFICATIONS >>>

## ENGINE

Emission Regulation	Tier 4f / Stage IV
Make	Cummins
Model	QSL9
Gross Power	247 kW (335 hp) @ 2,000 rpm
Net Power	234 kW (318 hp) @ 2,000 rpm
Peak Torque	1,573 N · m
Displacement	9 L
Number of Cylinders	6
Aspiration	Turbocharged & Air-to-air intercooled

## TRANSMISSION

Transmission Type	Countershaft, power shift
Torque Converter	Single stage, three elements
Maximum Travel Speed, fwd	40 km/h
Maximum Travel Speed, rev	28.4 km/h
Number of Speeds, fwd	4
Number of Speeds, rev	3

## AXLES

Differential Front Type	Limited slip
Differential Rear Type	Limited slip
Axle Oscillation	±12°

## STEERING

Steering Configuration	Articulated
Steering Relief Pressure	20.7 MPa

## BRAKES

Service Brake Type	Wet discs brake
Service Brake Actuation	Hydraulic
Parking Brake Type	Flexible shaft control
Parking Brake Actuation	Hydraulic

## HYDRAULIC SYSTEM

Main Pump Type	Piston
Main Relief Pressure	26 MPa
Raise	5.7 s
Dump Time	1.3 s
Float Down Time	3.3 s
Fastest Total Cycle Time	10.3 s

## LOADER ARM PERFORMANCE

Tipping Load - Straight	18,980 kg
Tipping Load - Full Turn	16,082 kg
Bucket Breakout Force	200 kN
Maximum Dump Angle at Full Height	45°
Dump Clearance at Full Height Discharge	3,150 mm
Dump Reach at Full Height Discharge	1,312 mm
Maximum Hinge Pin Height	4,355 mm
Maximum Digging Depth, Bucket Level	100 mm
Bucket Rollback at Ground Level	45°
Bucket Rollback at Carry	49°
Bucket Rollback at Maximum Height	60°

## BUCKET PERFORMANCE

Reference Bucket	4.2 m <sup>3</sup>
------------------	--------------------

## DIMENSIONS

Length with Bucket Down	9,100 mm
Width Over Tires	2,970 mm
Wheelbase	3,550 mm
Wheel Tread	2,270 mm
Ground Clearance	485 mm
Turn Angle, Either Side	38°
Rear Angle of Departure	26°
Turning Radius, Outside of Tire	6,625 mm
Turning Radius, Center of Tire	6,285 mm
Turning Radius, Bucket Carry	7,470 mm

## TIRES

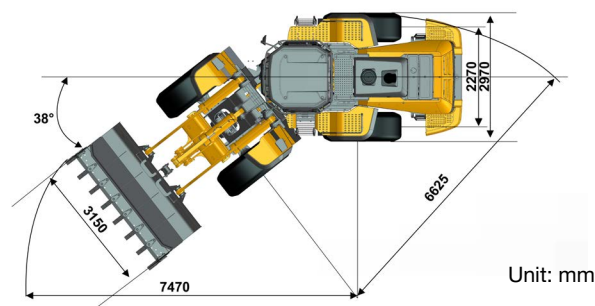
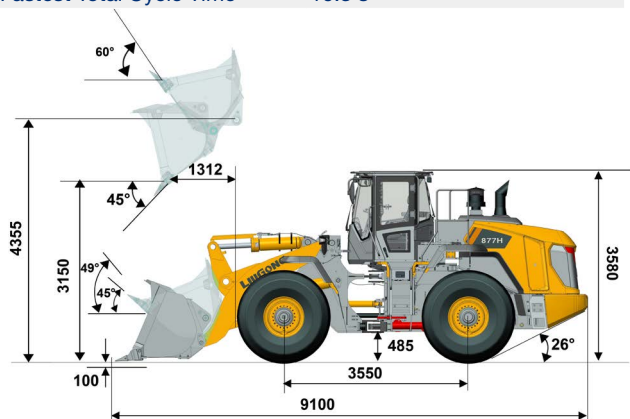
Tire Size	26.5 R 25
-----------	-----------

## OPERATING WEIGHTS

Operating Weight	24,500 kg
------------------	-----------

## SERVICE CAPACITIES

Fuel Tank	360 L
Engine Oil	38 L
Cooling System	41 L
Hydraulic Reservoir	260 L
Transmission and Torque Converter	62 L
Axles, each	42 L



Guangxi Liugong Machinery Co., Ltd.

No. 1 Liutai Road, Liuzhou, Guangxi 545007, PR China

T: +86 772 3886124

E: overseas@liugong.com

www.liugong.com

Specifications and designs are subject to change without notice. Machines shown may include optional equipment.

12/2015 Designed by LiuGong